

Product datasheet

Specifications



circuit breaker EasyPact Ezc100N - TMD - 60 A - 4 poles 3d

Ezc100N4060

Main

Range of product	EasyPact
product or component type	Circuit breaker
Device short name	EasyPact Ezc100N
Circuit breaker name	EasyPact Ezc100N
Device application	Distribution
poles description	4P
Protected poles description	3t
Network type	DC AC
Network frequency	50/60 Hz
[In] rated current	60 A at 40 °C
[Uij] rated insulation voltage	690 V AC 50/60 Hz conforming to IEC 60947-2
[Uimp] rated impulse withstand voltage	6 kV conforming to IEC 60947-2
[Ue] rated operational voltage	550 V AC 50/60 Hz conforming to IEC 60947-2 250 V DC conforming to IEC 60947-2
Breaking capacity code	N
Breaking capacity	10 kA Icu at 440 V AC 50/60 Hz conforming to IEC 60947-2 25 kA Icu at 110...130 V AC 50/60 Hz conforming to IEC 60947-2 25 kA Icu at 220...240 V AC 50/60 Hz conforming to IEC 60947-2 5 kA Icu at 125 V DC 1P conforming to IEC 60947-2 5 kA Icu at 250 V DC 2P conforming to IEC 60947-2 5 kA Icu at 550 V AC 50/60 Hz conforming to IEC 60947-2 15 kA Icu at 415 V AC 50/60 Hz conforming to IEC 60947-2 18 kA Icu at 380...400 V AC 50/60 Hz conforming to IEC 60947-2
[Ics] rated service breaking capacity	5 kA at 440 V AC 50/60 Hz conforming to IEC 60947-2 2.5 kA at 125 V DC conforming to IEC 60947-2 2.5 kA at 250 V DC conforming to IEC 60947-2 2.5 kA at 550 V AC 50/60 Hz conforming to IEC 60947-2 12.5 kA at 220...240 V AC 50/60 Hz conforming to IEC 60947-2 12.5 kA at 110...130 V AC 50/60 Hz conforming to IEC 60947-2 9 kA at 380...400 V AC 50/60 Hz conforming to IEC 60947-2 7.5 kA at 415 V AC 50/60 Hz conforming to IEC 60947-2
Suitability for isolation	Yes conforming to IEC 60947-2
Utilisation category	Category A
Trip unit name	TM-D
Trip unit technology	Thermal-magnetic
Trip unit rating	60 A at 50 °C
Protection type	Short-circuit protection Overload protection

Pollution degree	3 conforming to IEC 60947
------------------	---------------------------

Complementary

Control type	Toggle
mounting mode	Fixed
mounting support	Backplate
Upside connection	Front
downside connection	Front
Mechanical durability	13000 cycles
Electrical durability	Category A: 4000 cycles 415 V AC 50/60 Hz conforming to IEC 60947-2
Connection pitch	25 mm
local signalling	Positive contact indication
Neutral protection setting	Without protection
Earth-leakage protection	Without
Height	130 mm
Width	100 mm
Depth	60 mm

Environment

Standards	JIS C8201-2-2 EN/IEC 60947-1 EN/IEC 60947-2 GB/T 14048.2
IP degree of protection	IP20 conforming to IEC 60529
IK degree of protection	IK07 conforming to EN 50102
Ambient air temperature for operation	-25...70 °C
Ambient air temperature for storage	-35...85 °C

Packing Units

Unit Type of Package 1	PCE
Number of Units in Package 1	1
Package 1 Height	9 cm
Package 1 Width	13.5 cm
Package 1 Length	10.5 cm
Package 1 Weight	1.011 kg
Unit Type of Package 2	S02
Number of Units in Package 2	9
Package 2 Height	15 cm
Package 2 Width	30 cm
Package 2 Length	40 cm
Package 2 Weight	9.499 kg
Unit Type of Package 3	PAL
Number of Units in Package 3	288

Package 3 Height	80 cm
Package 3 Width	120 cm
Package 3 Length	288 cm
Package 3 Weight	301.536 kg

Contractual warranty

Warranty	12 months
-----------------	-----------

Sustainability

Green Premium™ label is Schneider Electric's commitment to delivering products with best-in-class environmental performance. Green Premium promises compliance with the latest regulations, transparency on environmental impacts, as well as circular and low-CO₂ products.

Guide to assessing product sustainability is a white paper that clarifies global eco-label standards and how to interpret environmental declarations.

[Learn more about Green Premium >](#)

[Guide to assess a product's sustainability >](#)



Transparency RoHS/REACH

Well-being performance

✓ Reach Free Of Svhc

✓ Toxic Heavy Metal Free

✓ Mercury Free

✓ Rohs Exemption Information Yes

Certifications & Standards

Reach Regulation [REACH Declaration](#)

Eu Rohs Directive Compliant
[EU RoHS Declaration](#)

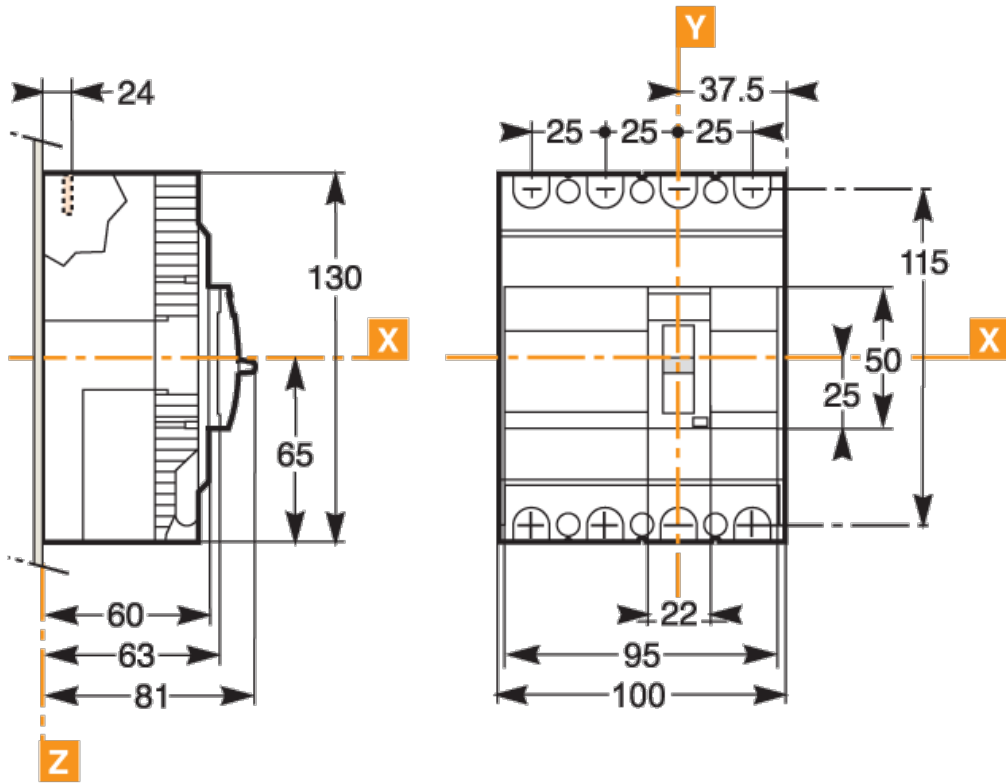
China Rohs Regulation [China RoHS declaration](#)

Environmental Disclosure [Product Environmental Profile](#)

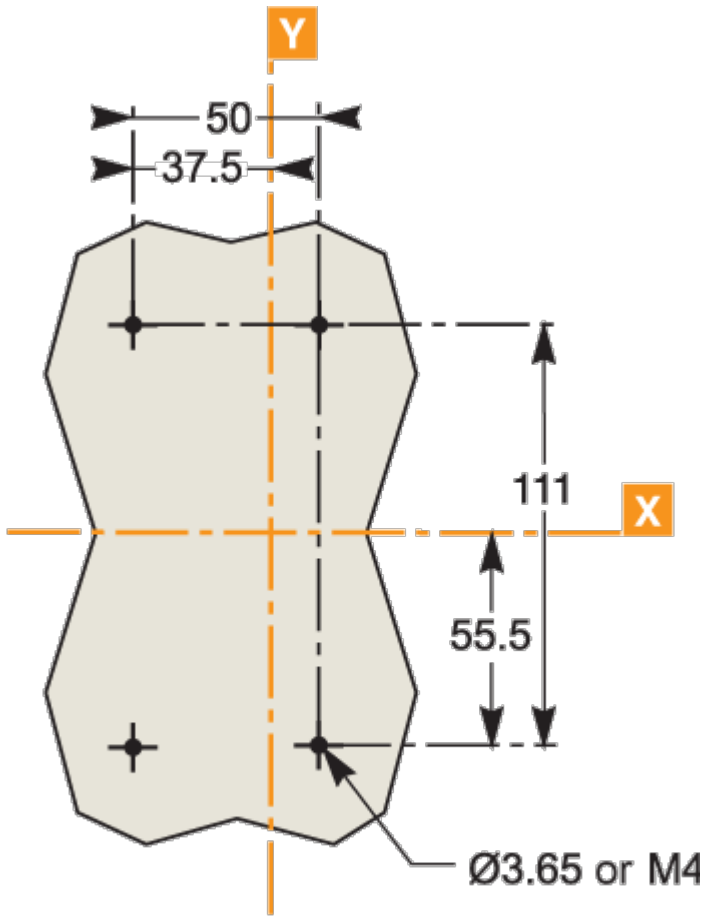
Weee The product must be disposed on European Union markets following specific waste collection and never end up in rubbish bins

Circularity Profile No need of specific recycling operations

Dimensions Drawings



Assembly



Performance Curves

